



Armoire à vin.

Wine Preservation Technology

USER MANUAL

V26SG e SS/S3 models

V30SGme/AL/S3/BK models

V30SGe/AL/S3/BK models

V40SGe/AL/S3/BK models

V30SG2e/AL/S3/BK models

V40SG2e/AL/S3/BK models

V40DG 2e AL/S3/BK models

WARNING

The information in this document is subject to modification without any prior notice.

Some models are available in dedicated countries only.

VINTEC offers no guarantee for our wine cellar if it is being used for any purpose other than that for which it was specifically designed. VINTEC cannot be held responsible for any error in this manual. VINTEC is not responsible or liable for any spoilage or damage to wines or any other contents incidental or consequential to possible defects of the wine cellar. Warranty applies to the wine cellar only and not to the content of the wine cellar.

This appliance is not intended for use by persons (including children) with reduced physical, sensory or mental capabilities, or lack of experience and knowledge, unless they have been given supervision or instruction concerning use of the appliance by a person responsible for their safety.

Children should be supervised to ensure that they do not play with the appliance.

R600A WARNINGS

The following models use small quantity of R600A (iso-butane) flammable refrigerant:

AL/S3/BK:	V30SGe	– 30g	V30SG2e	– 30g
AL/S3/BK:	V40SGe	– 35g	V40SG2e	– 35g
AL/S3/BK:	V40DG 2e	– 45g	V26SGe	– 30g

For your safety please observe the following recommendations :

- This appliance contains a small quantity of R600A refrigerant which is environmentally friendly, but flammable. It does not damage the ozone layer, nor does it increase the greenhouse effect.
- During transportation and installation, ensure that the tubing of the refrigerant circuit is not damaged.
- Avoid using or manipulating sharp objects near by the appliances.
- Leaking refrigerant can ignite and may damage the eyes.
- In the event any damage does occur, avoid exposure to open fires and any device which creates a spark. Disconnect the appliance from the mains power.
- Thoroughly ventilate the room in which the appliance is located for several minutes.
- Notify Customer Service for necessary action and advice.

- The room for installing the appliance must be at least 1 cubic metre per 8 grams of refrigerant. The refrigerant quantity contained in this appliance is listed above in grams; it is also noted on the Rating Plate of the appliance.

It is hazardous for anyone other than an Authorised Service Person to carry out servicing or repairs to this appliance.

- WARNING: Keep ventilation openings in the appliance enclosure or in the built-in structure clear of obstruction.
- WARNING: Do not use mechanical devices or other means to accelerate the defrosting process, other than those recommended by the manufacturer.
- WARNING: Do not damage the refrigerant circuit.
- WARNING: Do not use electrical appliances inside the compartments.

- WARNING: In Queensland Australia, the authorized person must hold a Gas Work Authorisation for hydrocarbon refrigerants, before carrying out servicing or repairs which involve the removal of covers.

The environment and personal safety must be considered when disposing of this appliance. Please ensure the appliance is taken to a recycle center for safe recycling. **DO NOT** dispose of the appliance in land fill as the insulation and refrigerant gas contained in these appliances are flammable.

Allow 24 hours before switching on the wine cellar. During this time we recommend that you leave the door open to clear any residual odors.

BEFORE LOADING & PLUGGING IN THE WINE CELLAR

Important: All models without front venting (air opening) are strictly for free standing only. (See technical chart)

Recommendations:

The location you have selected for your wine cellar should:

- be unencumbered and well ventilated;
- be well away from any heat source and direct sunlight;
- not be too damp (laundry, pantry, bathroom etc.);
- have a flat floor;
- have a standard and reliable electricity supply (standard socket to country standards, linked to the ground), it is NOT recommended to use a multi-socket or extension lead;
- have a surge protector fitted to the electrical outlet;
- away from the microwave oven. Certain microwave ovens do not have wave interference shield. When placed within 1 meter vicinity of the wine cabinet, they may affect the operation of the wine cabinet.

Notes:

- V30 models are for free standing ONLY.
- V40 & V26 models are built-in type as per the drawings thereafter.

The wine cellar should be placed where the ambient temperature is between 5°C to 35°C. If the ambient temperature is above or below this range, the performance of the unit may be affected. Placing your unit in extreme cold or hot conditions may cause interior temperatures to fluctuate. The ideal range of temperature may not be reached. (See Climate Class at the end of this manual)

Grounding instructions

The wine cellar must be grounded in case of an electrical short circuit. Grounding reduces the risk of electrical shock. The wine cellar is equipped with a power cord having a grounding wire and plug. The wine cellar plug must be plugged into a properly affixed and grounded electrical outlet.

Note: *In locations where there is frequent lightning, it is advisable to use surge protectors.*

Improper use of the grounding plug can result in the risk of electric shock. Consult a qualified electrician or service person if the grounding instructions are not completely understood.

If the supply cord is damaged, it must be replaced by a qualified person in order to avoid electrical hazard.

INSTALLING YOUR WINE CELLAR

Unpack and remove all of the protection and adhesive strips from the packaging around and inside the wine cellar.

The wine cellar must be positioned such that the plug is accessible. Release the power cord. Move your wine cellar to its final location. The wine cellar should be installed in a suitable place where the compressor will not be subject to physical contact.

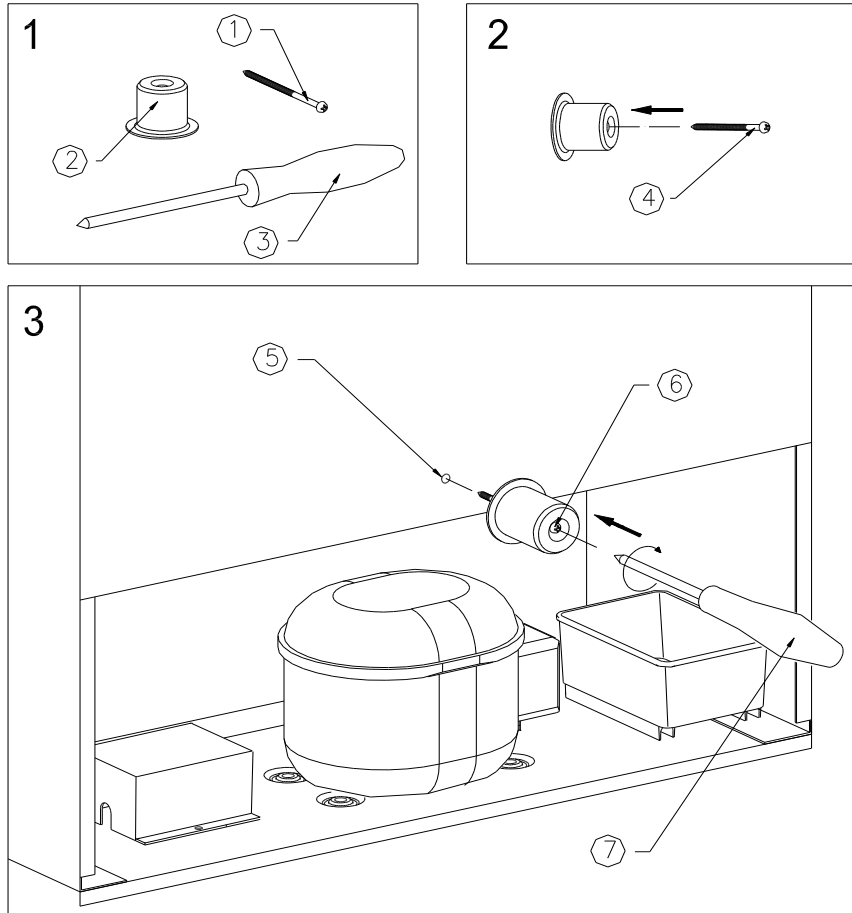
Leveling your wine cellar: Wine cellar must be leveled BEFORE loading your wines.

Your Vintec wine cellar is equipped with 4 adjustable feet to facilitate easy leveling. VINTEC recommends that you tighten the back feet to the maximum and adjust the front feet to level the wine cellar.

Fixing the Back spacer:

Compressor run appliances require proper ventilation for proper and longer usage. Your Vintec wine cellar is supplied with a back spacer. Affix the back spacer at the back of the cellar for air circulation and heat evacuation.

INSTALLATION OF BACK SPACER



IMPORTANT - THIS SPACER MUST BE ATTACHED TO THE UNIT BEFORE THE INSTALLATION, FOR VENTILATION PURPOSE. FAILURE TO DO SO VOIDS THE WARRANTY

**INSTALLATION INSTRUCTIONS FOR BUILT IN WINE CELLARS:
(UNDERBENCH OR IN COLUMN) *FRONT VENTING WINE CELLARS ONLY.***



v30 models are free standing only. Any built in voids the warranty

1. Vintec “Built in” wine cellars are front venting but are not designed to be fully integrated behind a joinery door.
2. Vintec “Built in” wine cellars require 10mm clearance on both sides and top, 30mm clearance at the rear (Back spacer is provided),to facilitate installation, removal, servicing and ventilation.
3. Vintec “Built in” wine cellars draw air from the rear and expels through the metal grid under the door at the front. If a kick board is to be placed in front of the wine cellar’s grid another one must be fitted into the kick board with a minimum air flow allowance of 150cm².
4. Vintec “Built in” wine cellars have a power switch located on the control panel so power point location is not critical.
5. The wine cellar requires a standard 240 volt/10 amp power point. (Or according to different countries specifications).
6. The power cord is 1.9m in length and is fixed on the right side at the back when looking from front of cabinet.
7. As with most appliances of today, the wine cellar has sensitive electronic components which are susceptible to damage through lightning and electricity supply faults. It is therefore advised to use a power surge protector to avoid problems of this nature.

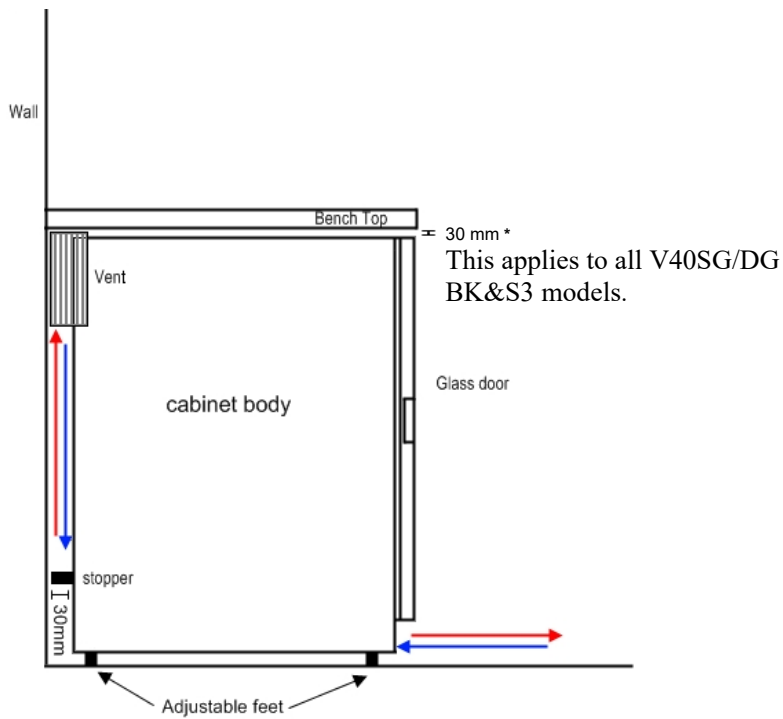
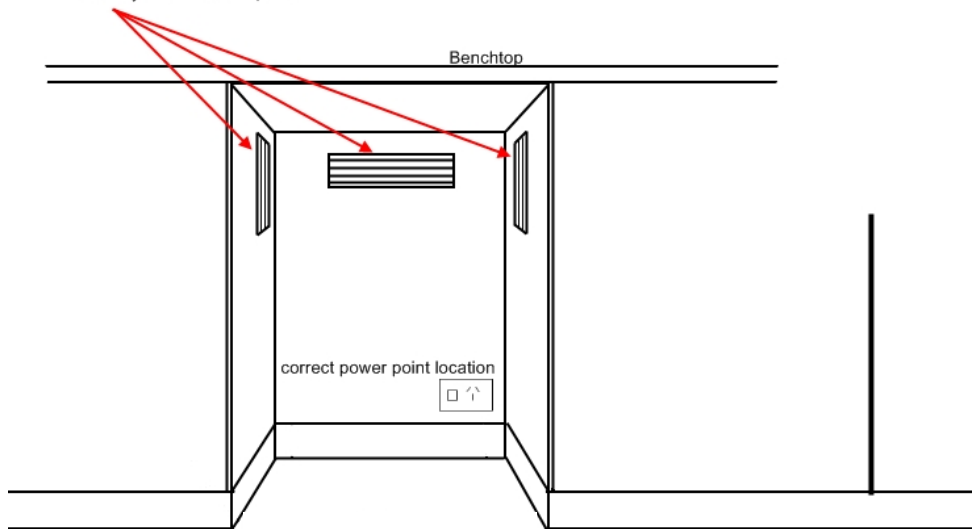
8 Air vent within the joinery must be provided for Vintec built in wine cellars (front venting)

In Hot climate zone, an air vent or grid, with a minimum ventilation size of 200mm x 40mm MUST be cut out at the rear top of the back partitioning or at the top of either side of the partitioning, allowing cool fresh air full access to flow into the 30mm gap located at the rear of the cabinet.

This air vent or grid must not be opened on the same side as other appliances such as ovens or an area that is sealed and without access to fresh cool air. Failing to comply with the above specifications could result in WARRANTY void.

INSTALLATION DRAWINGS FOR BUILT IN WINE CELLARS: (UNDERBENCH OR IN COLUMN) FRONT VENTING WINE CELLARS ONLY.

Suitable points for ventilation grid.
 Note: only one vent is required

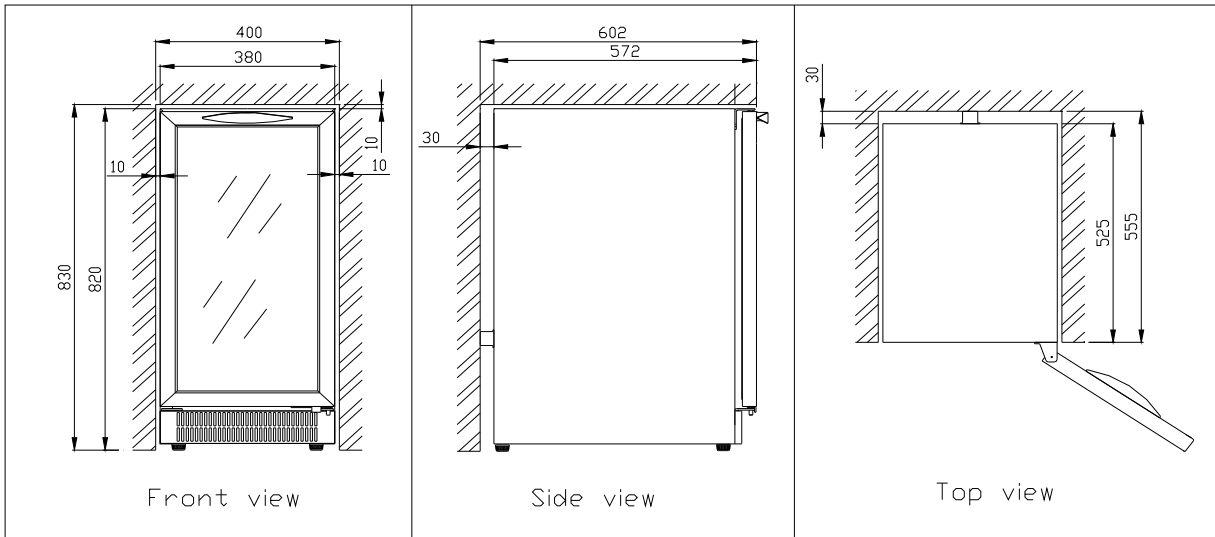


30 mm *
 This applies to all V40SG/DG
 BK&S3 models.

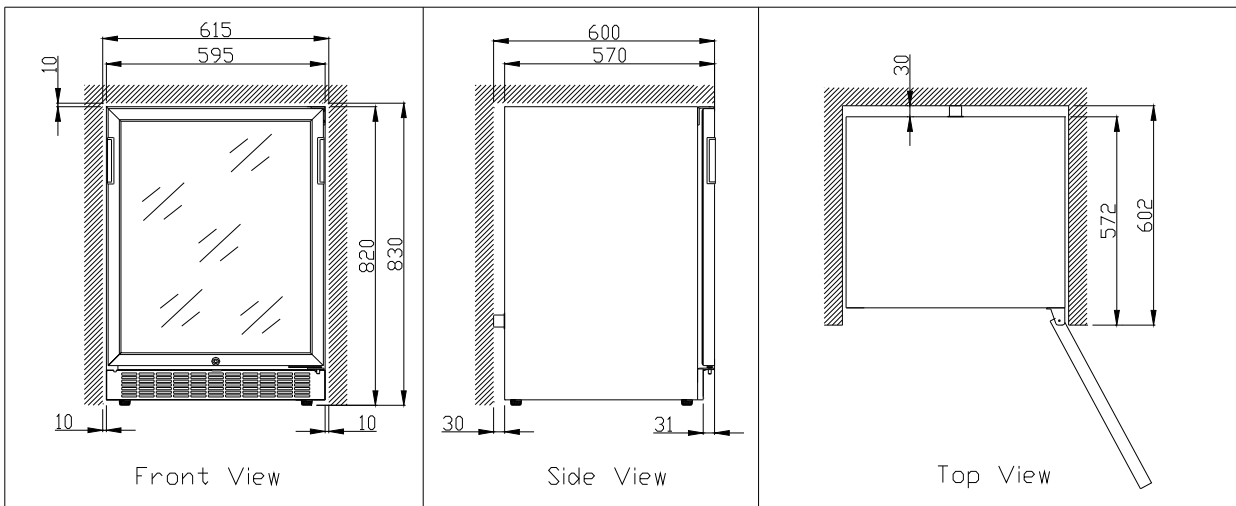
* only 10mm requires for V26 etc.

Dimensional drawings:

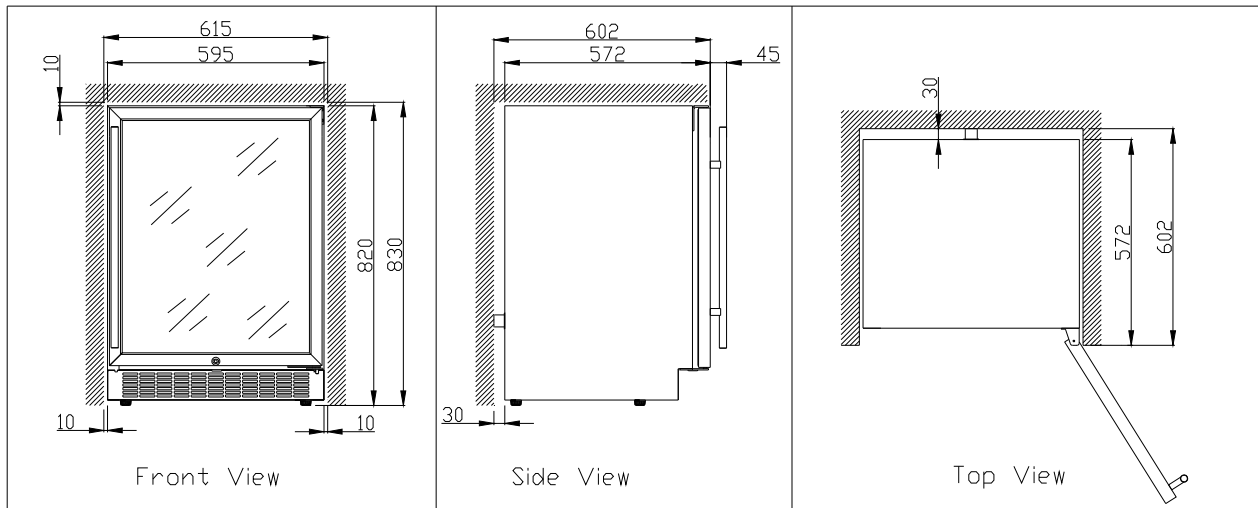
V26's



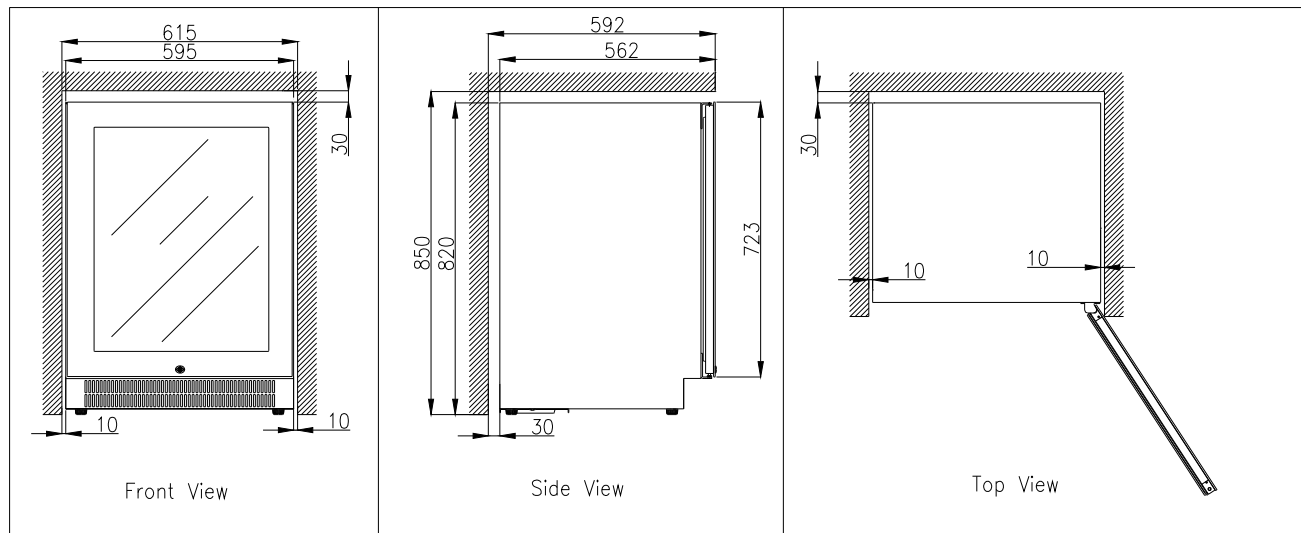
V40's (30mm recess plinth)



V40's (85mm recess plinth)



V40 S3/BK models



TURNING ON YOUR WINE CELLAR

Plug in and switch on the cellar by pressing on the power button **for a few seconds**.

When you use the wine cellar for the first time (or restart the wine cellar after having it shut off for a long time), there will be a few degrees variance between the temperature you have selected and the one indicated on the LED readout. This is normal and it is due to the length of the activation time. Once the wine cellar is running for a few hours everything will stabilize.

Important: If the unit is unplugged, power is lost, or turned off, wait 3 to 5 minutes before restarting the unit. The wine cellar will not start if you attempt to restart before this time delay.

Operating Noises

To reach the desired temperature settings, VINTEC wine cellars, like all wine cellars operating with compressors and fans, may produce the following types of noises. These noises are normal and may occur as follows:

- Gurgling sound - caused by the refrigerant flowing through the appliance's coils.
- Cracking/popping sounds - resulting from the contraction and expansion of the refrigerant gas to produce cold.
- Fan operating sound - to circulate the air within the wine cellar.

An individual's perception of noise is directly linked to the environment in which the wine cellar is located, as well the specific type of models. VINTEC wine cellars are in line with international standards for such appliance. VINTEC will always do its utmost to satisfy its customers but will not retake possession of the goods due to complaints based on normal operating noise occurrences.

LOADING YOUR WINE CELLAR

You may load your wine bottles in single or double rows while taking note of the following: if you do not have enough bottles to fill your wine cellar, it is better to distribute the load throughout the wine cellar so as to avoid "all on top" or "all below" type loads.

- Do remove or relocate adjustable wooden shelves to accommodate larger type of bottles or increase the capacity of the cellar by stacking the bottles up when necessary. (See removing shelves)
- Keep small gap between the walls and the bottles to allow air circulation. Like an underground cellar air circulation is important to prevent mould and for a better homogeneous temperature within the cellar.



- Do not over load your wine cellar to facilitate air circulation.
- Do not stack more than 1.5 rows of standard 0.75L bottles per shelves to facilitate air circulation
- Avoid obstructing the internal fans (located inside on the back panel of the wine cellar).
- Do not slide the shelves outwards beyond the fixed position to prevent the bottles from falling.
- Do not pull out more than one loaded shelf at a time as this may cause the wine cellar to tilt forward.
- Do not cover the wooden shelves with alloy foil or other materials, as it will obstruct air circulation.
- Do not move your wine cellar while it is loaded with wines. This might distort the body of the wine cellar and cause back injury.

TYPES OF REGULATION

Please note that depending on the loading and settings chosen it takes about 24 hours for the wine cellar to see the temperature stabilizing.

During this time LED seems to move erratically in particular for 2e models. It is normal and this process occurs whenever the setting is modified and/or whenever a large amount of bottles are added to the cellar.

Single temperature Maturing/Storage wine cellars: “e”

AL/S3/BK:
V30SG standard regulation
V30SGe, V40SGe: electronic regulation, digital display.

SS/S3:
V26SGe: electronic regulation, digital display.

Designed to store and mature all wines: red, white and sparkling. These wine cellars reproduce the ideal conditions for **wine storage**, at a constant recommended temperature of 12°C. They can also be set to provide ideal serving temperature for full enjoyment of the wine’s qualities. Unless stated by the wine maker on the bottle, **VINTEC** recommends 7°C for your champagne, 12°C for whites and 18°C for reds. (Refer to “Wine Service Temperature” recommendation chart)

Two Compartment single temperature wine cellars (2-in-1 Wine Cellars): “DG”

AL/S3/BK: V40DG2e: electronic regulation digital display

DG models are made of two independent compartments regulated independently as 2 single zone wine cellars. Like the e models, each compartment are adjustable from 6°C to 18°C. Ideal for storage or “mise en temperature” (The right temperature for optimum enjoyment)

Two Temperature Serving Wine Cellars: “2e”

AL/S3/BK: V30SG2e, V40SG2e: electronic regulation digital display

Designed to store wines at the correct temperature for best enjoyment. The upper chamber can hold 12, 14 or 16 bottles, depending on the models, at a temperature of 6°C to 10°C dedicated mainly to **white, sparkling wines and champagnes**. The lower chamber accommodates 20, 30 or 34 bottles, depending on the models, mainly for **red wines**, which could be stored either at room temperature (18°C-20°C) for consumption or at 12°C for a longer time of storage.

TEMPERATURE SETTINGS

Important: *The LCD displays by default the actual internal air temperature.*

The temperature settings are pre-set at the factory as follows. In the event of a power interruption, all previous temperature settings are automatically erased and it will revert to the preset temperature settings.

Factory preset chart

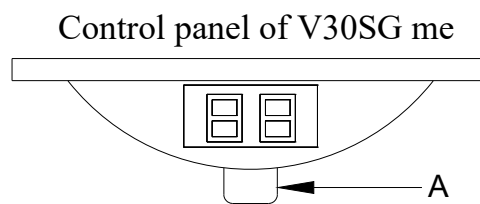
Model	Setting	Temperature
V30SGMe	12	12°C (+/- 2.5°C)
V26/V30/ V40 /AL /S3/BK SG e	12	12°C (+/- 2.5°C)
V30/ V40 /AL /S3/BK SG 2e	Upper compartment: 6	6°C (+/- 2.5°C)
	Lower compartment: 12	12°C (+/- 2.5°C)
V40 /AL /S3/BK DG 2e	Left compartment: 7	7°C (+/- 2.5°C)
	Right compartment: 12	12°C (+/- 2.5°C)

It is important to understand that there is a difference between the air temperature inside the wine cellar and the actual temperature of the wine: You will need to wait approximately 12 hours before noticing the effects of temperature adjustment due to the critical mass within a full wine cellar.

Once the temperature is set, it is strongly advised not to toy with it or adjust frequently. The thermostat will maintain the temperature inside the wine cellar within a +/- 2.5°C range. But the thermal inertia of the wine and the glass is such that within this temperature range, the actual temperature of the wine will only fluctuate 0.5°C to 1°C.

Electronic models:

V30SGMe /AL/S3/BK model



To modify the pre-set temperature

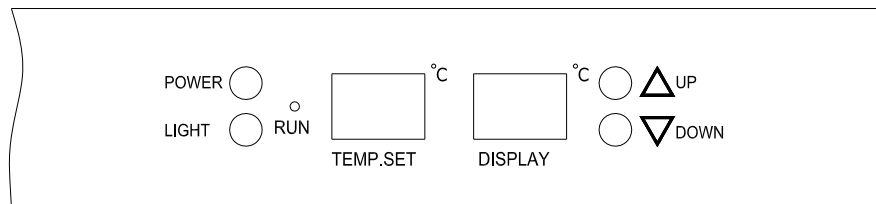
Adjust the desired cooling temperature by pressing the button(A). Each depression of the button will scroll through the available temperature settings in increments of 1 degree Celsius. The temperature setting can be adjusted from 6□ to 18□. LED will flash when setting the temperature. When stopping setting the temperature, LED will flash for another 5 seconds and then display the actual temperature.

V30 SG e /AL/S3/BK models

The “TEMP. SET LED” displays the set temperature

The “DISPLAY LED” displays the internal temperature

Control panel of V30SG e wine cellars



To modify the pre-set temperature of V30SGe models

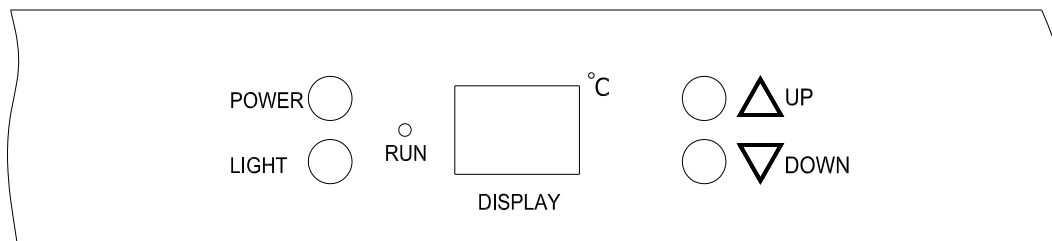
Adjust the desired cooling temperature by pressing the UP or DOWN buttons. Each depression of the buttons will scroll through the available temperature settings in increments or decrease of 1 degree Celsius. The temperature setting can be adjusted from 6□ to 18□.

V40SG e, V40DG 2e (for each compartment) AL/S3/BK models

V26SG e SS/S3 models

The “DISPLAY LED” displays the internal temperature. The set temperature automatically appears by pressing either the UP or DOWN button

Control panel of SG e and DG 2e model wine cellars



To modify the pre-set temperature of 40SGe and 40DG2e AL/S3/BK models

Adjust the desired cooling temperature by pressing the UP or DOWN buttons. Each depression of the buttons will scroll through the available temperature settings in increments or decrease of 1 degree Celsius. The temperature setting can be adjusted from 6□ to 18□. To view the “set” temperature, press and hold the UP or DOWN buttons, the “set” temperature will temporarily “flash” in the LED display for 5 seconds.

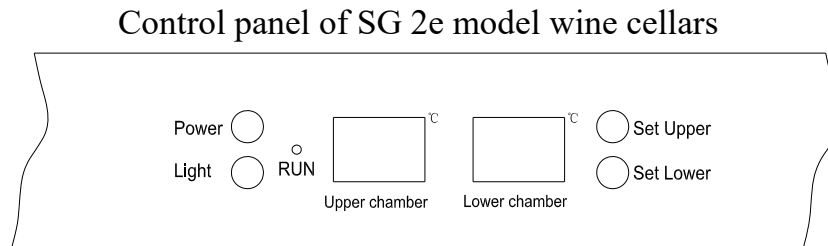
SG2e models:

V30SG2e, V40SG2e AL/S3/BK models

The “UPPER CHAMBER LED” displays the upper chamber internal temperature

The “LOWER CHAMBER LED” displays the lower chamber internal temperature

To view the “set” temperature, press the corresponding button once, the “set” temperature will temporarily “flash” in the LED display for 5 seconds.



To modify the pre-set temperature of SG “2e” models

Adjust the desired cooling temperature by pressing the Set Upper or Set Lower buttons. Each depression of the buttons will scroll through the available temperature settings in increments or decrease of 1 degree Celsius. The temperature selected will flash in the LED display for approximately 5 seconds and then revert to displaying the temperature of the internal cabinet. The temperature setting can be adjusted from 6°C to 12°C in upper compartment and 12°C to 18°C in lower compartment.

LED LIGHT

When equipped with LED light, you may turn on and off the LED light of your VINTEC wine cellar by pressing the “LIGHT” button on the control panel.

When on, the LED light will automatically switch off after 10 mins.

To maintain the light on continuously press the “LIGHT” button for 5 seconds. A “LP” sign will be displayed for a few seconds.

To switch off the light, simply press the “LIGHT” button

To revert to the automatic switch off mode proceed as above. A “LF” sign will be displayed for a few seconds.

WINE SERVING TEMPERATURE CHART

All wines mature at the same temperature, which is a constant temperature set between 12°C to 14°C. The below chart is an indicative temperature chart to indicate the best temperature for drinking purposes.

Champagne NV, Sparkling, Spumante	6°C
Dry White Semillon, Sauvignon Blanc	8°C
Champagne Vintage,	10°C
Dry White Chardonnay	10°C
Dry White Gewürztraminer, Riesling, Pinot grigio	10°C
Sweet White Sauternes, Barsac, Montbazillac, Ice Wine, Late Harvest	10°C
Beaujolais	13°C
Sweet White Vintage: Sauternes...	14°C
White Vintage Chardonnay	14°C
Red Pinot Noir,	16°C
Red Grenache, Syrah	16°C
Red Vintage Pinot Noir	18°C
Cabernet & Merlot: French, Australian, New Zealand,	20°C
Chilean, Italian, Spanish, Californian, Argentinean...	
Vintage Bordeaux ...	Room temperature not exceeding 20°C

IMPORTANT INFORMATION ABOUT TEMPERATURE

Your VINTEC wine cellar has been designed to guarantee optimum conditions for storing and/or serving your wines.

Fine wines require long and gentle developments and need specific conditions in which to reach their full potential.

All wines mature at the same temperature, which is a constant temperature set between 12°C to 14°C. Only the temperature of “dégustation” (wine appreciation) varies according to the type of wines (see “Wine Serving Temperature Chart” above). This being said and as it is for natural cellars used by wine producers for long period of storage, it is not the exact temperature that is important, but its consistency. In other words, as long as the temperature of your wine cellar is constant (between 12°C to 14°C) your wines will be stored in perfect conditions.

Not all wines will improve over the years. Some should be consumed at an early stage (2 to 3 years) while others have tremendous ageing capability (50 and over). All wines have a peak in maturity. Do check with your wine merchant to get the relevant information.

DEFROSTING/CONDENSATION/ HYGROMETRY/ VENTILATION

Your wine cellar is designed with “Auto-cycle” defrost system. During “Off-cycle” the refrigerated surfaces of the wine cellar defrost automatically. Defrost water from the wine cellar storage compartment drains automatically and part of it goes into a drainage container, which is located at the back of the wine cellar next to the compressor. The heat is transferred from the compressor and evaporates any condensation that has collected in the pan. Part of the remaining water is collected within the wine cellar for humidity purposes.

This system enables the creation of the correct humidity level inside your wine cellar required by the natural cork to maintain a long lasting seal.

Notes: *The water collected by condensation, is therefore recycled. Under extremely dry environmental conditions, you may have to add some water into the water container provided with your wine cellar.*

All units are equipped with a double glazed glass door that has a third internal acrylic layer to minimize condensation on the glass door.

The wine cellar is not totally sealed; fresh air admission is permitted through the drainpipe. Air is circulated through the cellar by means of a fan/fans and the hollow shelves.

Notes: *During the refrigerating cycle, heat is given off and disperses through the external surfaces of the wine cellar. Avoid touching the surfaces during those cycles.*

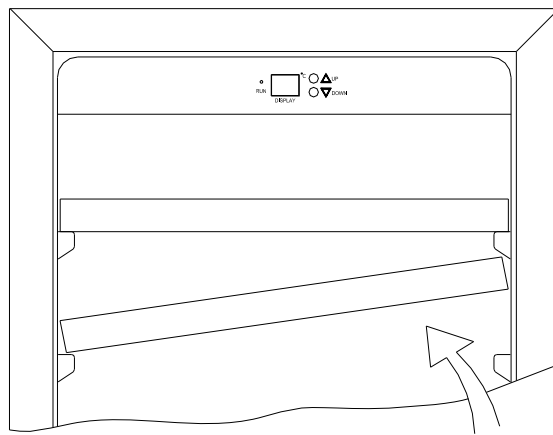
ADJUSTABLE WOODEN SHELVES

Adjusting/removing the shelves

For easy access to the storage content, you must pull the shelves approximately 1/3 of its depth out of the rail compartment. These wine cabinets, however, are designed with a notch on each side of the shelf tracks to prevent bottles from falling.

V26/V30/V40 models

When removing any of these shelves out of the rail compartment, tilt the shelf as per the diagram and simply pull out, or push in the shelf until it sits on the support brackets securely.

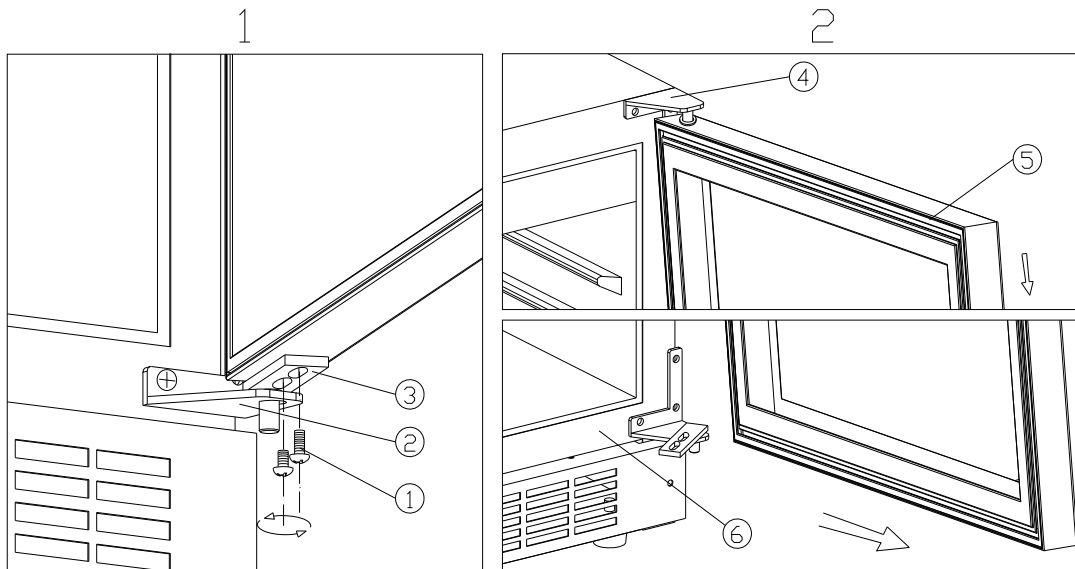


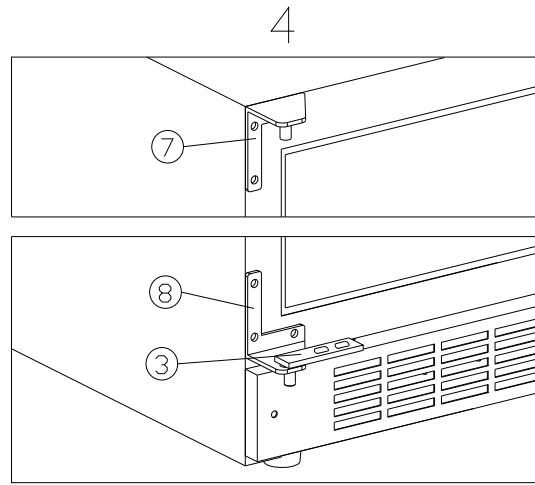
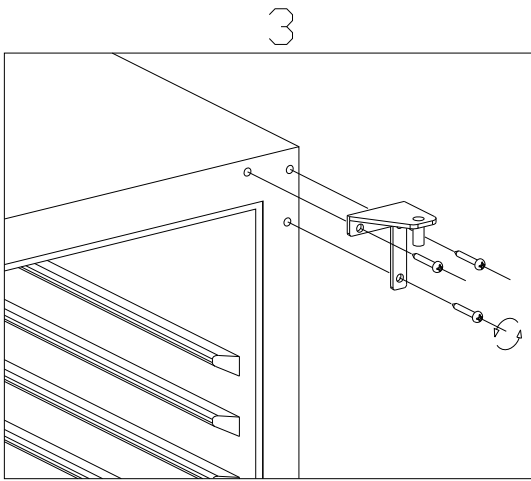
REVERSIBILITY OF THE DOOR

Warning: To avoid accidents during the process of changing the door, we recommend that you get assistance. The glass door is heavy and may cause injury if dropped.

- Depending on to the model and the type of handle your wine cabinet is equipped with, you may have to rotate the door through 180 degrees.
- Depending on the type of handle your wine cabinet is equipped with, the door may not be reversible or may require that a left or right opening door be ordered to change the opening side.

V26 models





1 Lock screws

4 Top hinge (Right)

7 Top hinge (Left)

2 Lower hinge (Right)

5 Door

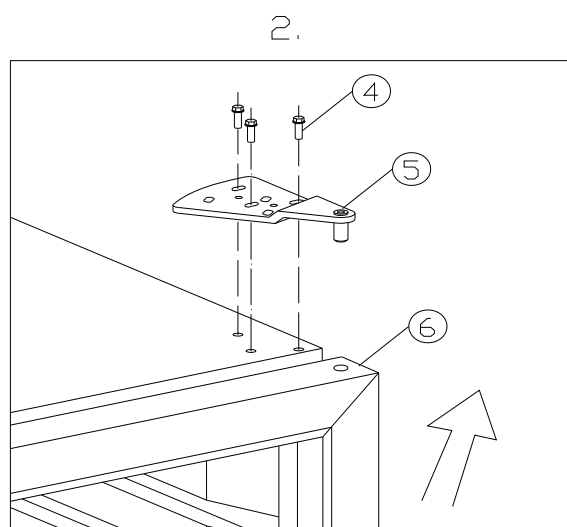
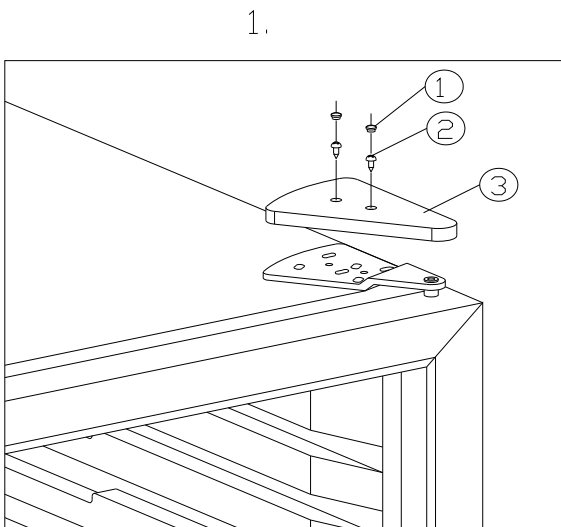
8 Lower hinge (Left)

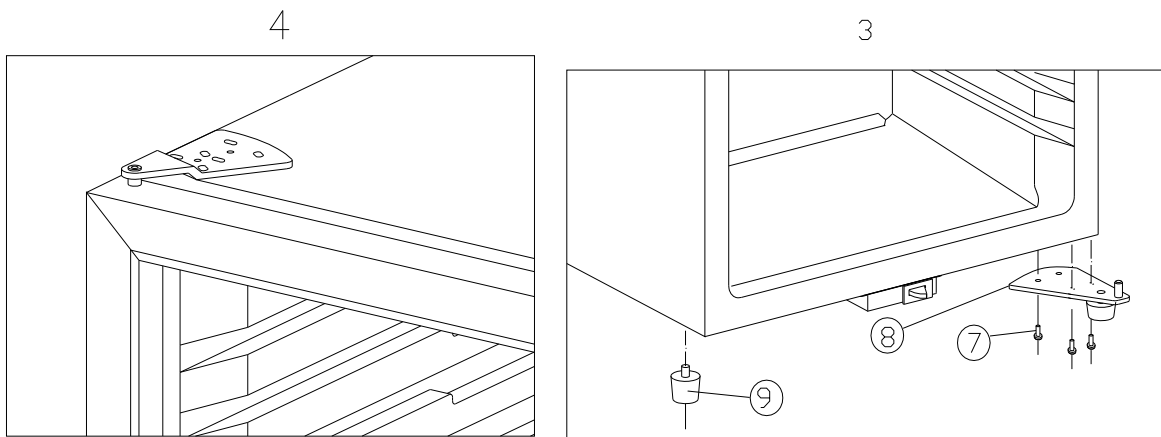
3 Door axis

6 Cabinet body

- Remove the lock screws to untied the door axis at the bottom of the door (Fig 1)
- **While holding the door firmly**, pull the door (5) outward , take it out ; (Fig. 2/4)
- Remove the Right Top hinge, (Fig 3).
- Install the left top hinge and left lower hinge , with bolts as per Fig. 4
- Put the door in position between the hinges and fix the door axes (3) onto the door.

V30 models

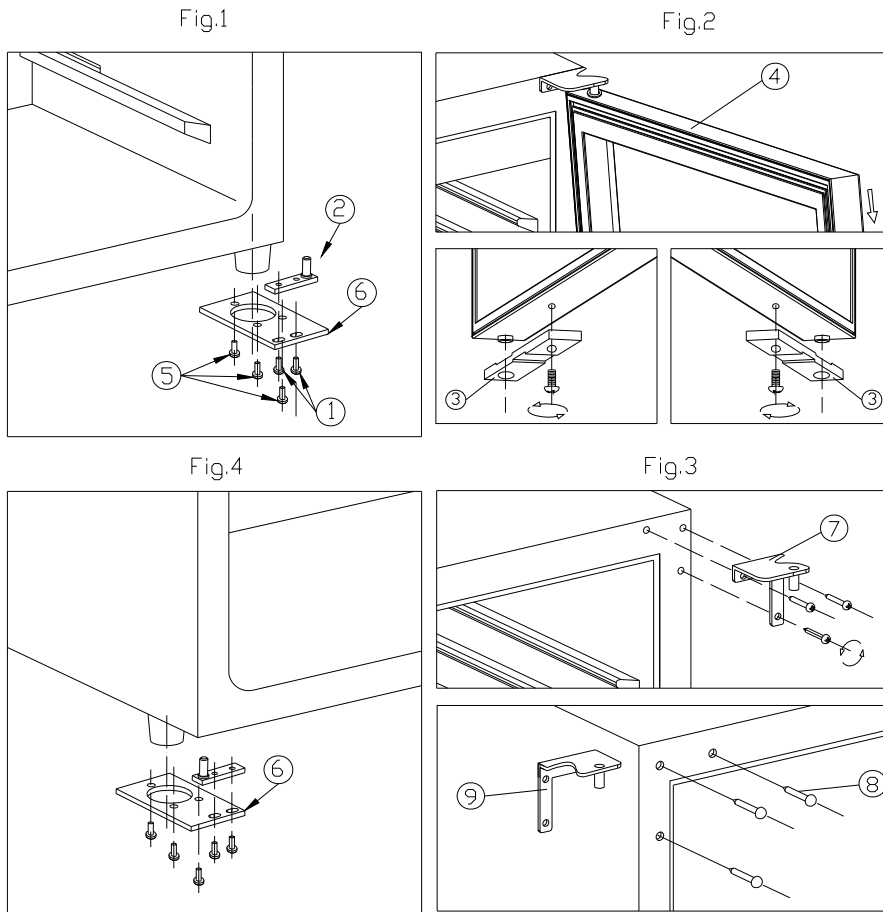




- | | | |
|---------------------------|-----------------------|--------------|
| 1 Rubber cover | 2 Screw | 3 Hole cover |
| 4 & 7 Screw | 5 Top hinge module | 6 Door |
| 8 Lower hinge module-Left | 9 Cabinet's leg-short | |

- Unscrew and remove the decorative cover. (Fig.1)
- **While holding the door firmly**, loosen and remove the top hinge, lift up and remove the door (See Fig.2)
- Unscrew the lower hinge (8).
- Remove the long cabinet leg (9) on the left side, and shift it to the right end side. (Fig. 3)
- Install the lower hinge and tie it with the bolts.
- Install the door on the axis of lower hinge (8) the same way it was removed, screw back the top hinge on the right
- Fix back the decorative cover and rubber cover.

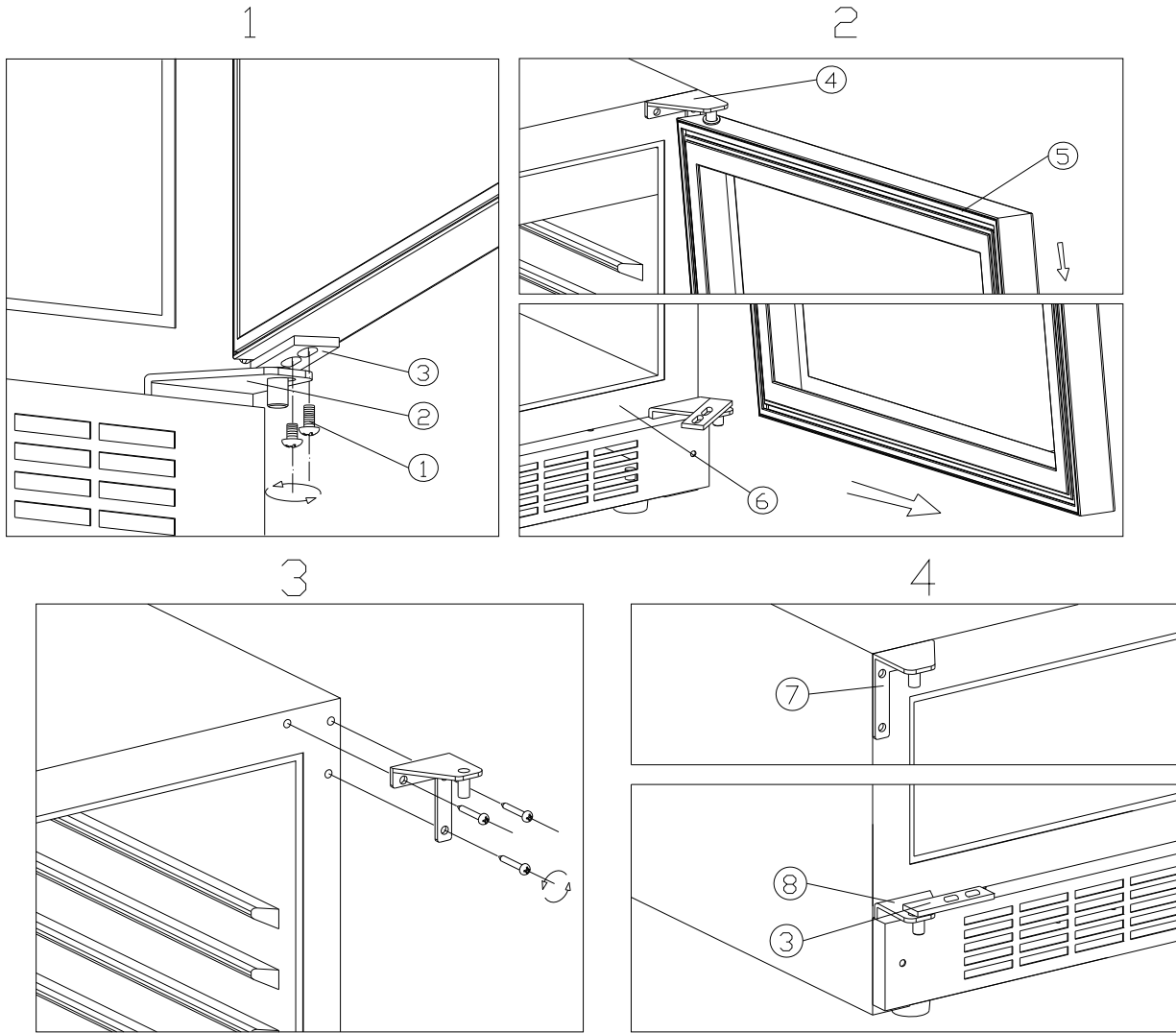
V30SGM e BK model



- | | | |
|----------------------------|------------------------|------------------------------|
| 1. Screws | 2 . Door axis | 3 . Door limit device |
| 4. Door | 5. Hinge Screws | 6. Lower hinge |
| 7. Top hinge(Right) | 8. Hole cover | 9. Top hinge (Left) |

1. Open the door to a 90 degree angle, take out the 2 screws (1) from door axis (2), remove the door (4), Remove the Door axis (2) (Fig. 1& Fig.2).
2. Unscrew the screw located underneath the door frame and the limit device (3), and relocate it at left end side of the door frame. (Fig. 2)
3. Take out the 3 hinge screws from the top hinge (right) (7) and remove it. (Fig. 3)
4. Remove decorative nail (8) from left top of cabinet and install spare top hinge (Left) (9) at left top of cabinet with 3 screws. (Fig. 3)
5. Overturned the lower hinge(6). Install the lower hinge at left lower of the cabinet with 3 screws(5).(Fig.4)
6. The door axis(2) revolves 180 degree, Put it into the door axis hole of the door. (Fig.4)
7. Install and aligned the door. Screw down the 2 screws(1). (Fig.4)
8. Insert the plastic caps to cover the holes(8).

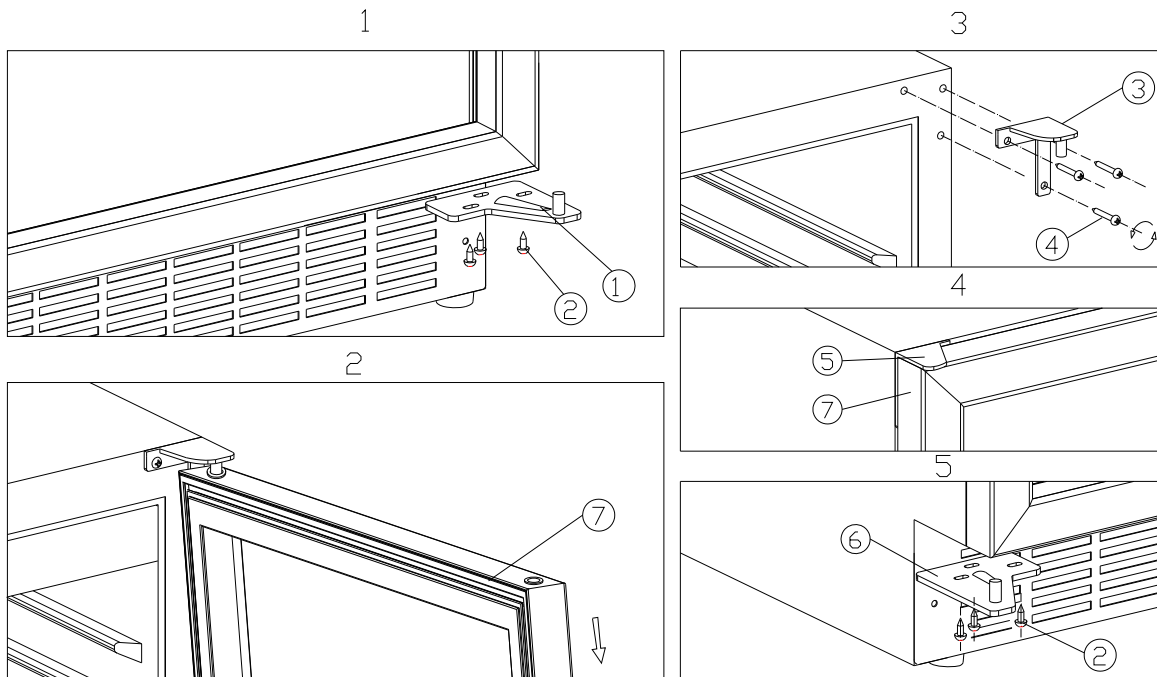
V40 AL models (30mm recess plinth)



- | | | |
|---------------------|-----------------------|----------------|
| 1 Lock screws | 2 Lower hinge (Right) | 3 Door axis |
| 4 Top hinge (Right) | 5 Door | 6 Cabinet body |
| 7 Top hinge (Left) | 8 Lower hinge (Left) | |

- Unscrew the lock screws (1); (Fig. 1) to remove the door axis located at the bottom.
- **While holding the door firmly**, pull the door (5) outward and take it out; (Fig. 2)
- Remove the 3 bolts and take out the right top hinge (2); (Fig. 3)
- Fix the left top hinge and the bottom left hinge with the bolts as per Fig. 4,
- Re-install the door the same way it was removed and fix back the door axis.

V40 AL models (85mm recess plinth)



1 Lower hinge (Right)

4 Lock Screws

7 Door

2 Lock screws

5 Top hinge (Left)

3 Top hinge (Right)

6 Lower hinge (Left)

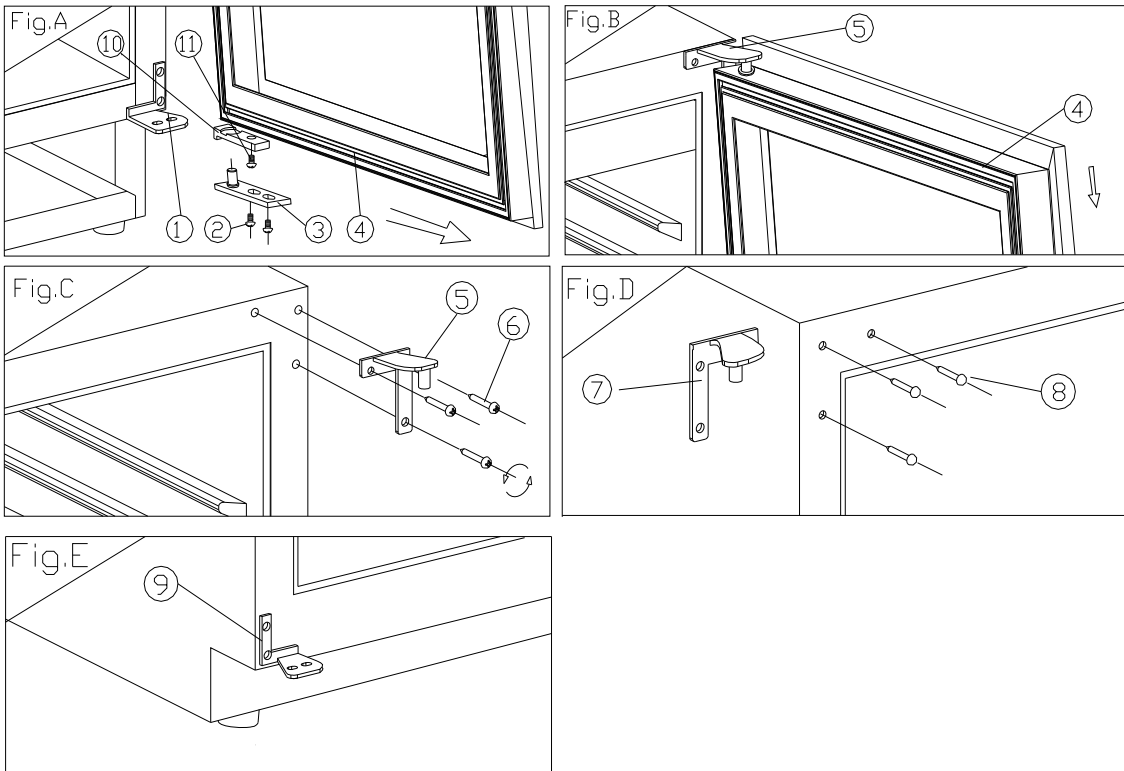
- **While holding the door firmly**, remove the three lock screws (2) from the lower right hinge module, and remove it. (Fig.1)

- Remove the three lock screws (4) from the top right hinge and remove the hinge (3) . (Fig.3)

- Fix the top left hinge (5) at the top left corner with the three lock screws (4) . (Fig.4)

- **While holding the door**, insert the axis core into the door's (7) upper left hinge's hole. Fix the left bottom hinges by inserting the axis core first into the door's lower left hinge's hole (6). Then tie the lower left hinge to finish the door replacement. (Fig. 5)

V40 S3/BK models



- | | | |
|-------------------------------|-----------------------------|------------------------------|
| 1. Lower hinge (Right) | 2. Screws | 3. Door axis |
| 4. Door | 5. Top hinge (Right) | 6. Hinge Screws |
| 7. Top hinge (Left) | 8. Hole cover | 9. Lower hinge (Left) |
| 10. Door limit device | 11. Screw | |

1. Open the door to a 90 degrees angle, take out the 2 screws (2) from lower door axis (3), remove the door (4), Remove the axis plate (3) from the door, (Fig. A).
2. Unscrew the screw (11) located underneath the doorframe and the limit device (10), and relocate it at left end side of the door frame. (Fig. A/B)
3. Take out the 3 hinge screws (6) from the top hinge (right) (5) and remove it. (Fig. C)
4. Remove decorative nail (8) from left top of cabinet and install spare top hinge (Left) (7) at left top of cabinet with 3 screws. (Fig. D)
5. Following the above procedure, install the spare lower hinge to the left (9). (Fig. E)
6. Install and aligned the door.
7. Insert the plastic caps to cover the holes(8).

OPERATION ANOMALIES

Ensure that there is power to the electrical supply plug by connecting another electrical appliance to it. Check fuse, if any. Make sure that the door is closed properly.

If your wine cellar appears to be malfunctioning, unplug it and contact your VINTEC's after sales service. Any intervention on the cold circuit should be performed by a refrigeration technician who should carry out an inspection of the circuit sealing system. Similarly, any intervention on the electrical circuit should be performed by a qualified electrician.

Notes : *Any intervention performed by a non- authorized technician by Vintec will lead to the warranty being considered as null and void.*

POWER FAILURES

In the event of a power interruption, all previous temperature settings are automatically erased and it will revert to a preset temperature setting. (see preset chart)

Most power failures are corrected within a short period of time. An hour or two's loss of power will not affect wine cellar's temperatures. To avoid sudden change of temperature while the power is off, you should avoid opening the door. For longer period of power failure, do take steps to protect your wine.

Irrespective of the cause, if you notice either abnormal temperature or humidity levels inside your wine cellar, be reassured that only long and frequent exposure to these abnormal conditions can cause a detrimental effect on your wines.

TROUBLESHOOTING GUIDE

Common problems may easily be solved, saving you the cost of a possible service call. Please read carefully the instruction manual and revert to troubleshooting guide chart.

PROBLEM	POSSIBLE CAUSE
Wine cellar does not operate.	Not plugged in. The appliance is turned off. The circuit breaker tripped or the fuse is broken.
Wine cellar is not cold enough.	Check the temperature control setting. External environment may require a higher setting. The door is opened too often. The door is not closed completely. The door gasket does not seal properly.
Turns on and off frequently.	The room temperature is hotter than normal. A large amount of contents has been added to the Wine cellar. The door is opened too often. The door is not closed completely. The temperature control is not set correctly. The door gasket does not seal properly.
The light does not work.	Not plugged in. The circuit breaker tripped or a blown fuse. The bulb is out of order. The light button is "OFF".
Vibrations.	Check to assure that the Wine cellar is level.
The Wine cellar seems to make too much noise.	The rattling noise may come from the flow of the refrigerant, which is normal. As each cycle ends, you may hear gurgling sounds caused by the flow of refrigerant in your Wine cellar. Contraction and expansion of the inside walls may cause popping and crackling noises. The Wine cellar is not level.
The door will not close properly.	The Wine cellar is not level. The door was reversed and not properly installed. The gasket is faulty. (magnet or rubber is spoiled) The shelves are out of position.

R600a :

Technical data	SS/S3 V26SG e	AL-S3-BK V30SG me & e	AL-S3-BK V40SGe	AL-S3-BK V30SG2e	AL-S3-BK V40SG2e	AL-S3-BK V40DG2e
Capacity 750ml Bottles	26	35	50	Upper 12 Lower 19	Upper 16 Lower 28	Left 19 Right 19
Gas charge quantity	30g	30g	35g	30g	35g	45g
Net capacity	81.2L	124L	146L	114L	134L	120L
Pre-set temp in degrees	12	12	12	upper 6	upper 6	Left 7
				Lower 12	Lower 12	Right 12
Adjustable temp in degrees	6 to 18	6 to 18	6 to 18	upper 6-12	Upper 6-12	Right 6-18
				Lower 12-18	Lower 12-18	Left 6-18
Power Input	85W	85W	100W	87W	100W	107W
Heater ⁽⁰⁾	--	--	--	Yes	Yes	--
Freestanding or Built-in	Built-in	Freestanding	Built-in	Freestanding	Built-in	Built-in
N°. of wooden shelf: ⁽¹⁾	5	4 (max 6)	5	4 (max 5)	5	12
Ambient temp in degrees	5-35°C	5-35°C	5-35°C	5-35°C	5-35°C	5-35°C
Net dim in mm WDXH	380x550x805	AL/S3 : 493x588x840 BK: 493x577x831	AL: 595x572x820 S3/BK: 595x561x820	AL/S3: 493x588x840 BK: 493x577x831	AL: 595x572x820 S3/BK: 595x561x820	AL: 595x572x820 S3/BK: 595x561x820
Gross dim in mm WDXH ⁽²⁾	415x625x845	550x650x880	655x665x875	550x650x880	655x665x875	655x665x875
Net weight	34kg	38 kg	44 kg	43 kg	50kg	50 kg
Gross weight	38kg	42 kg	48 kg	47 kg	54 kg	54 kg

⁽⁰⁾ Units with no heater will not raise its internal temperature if the ambient temperature where the unit is located is lower than the set temperature.

⁽¹⁾ Subject to changes accordingly to the various references and models modifications.

⁽²⁾ Based on carton box packing dimensions/weight

Dimension: Actual appliance measurements, specifications and ratings may vary slightly due to technical improvements and slight manufacturing differences. When dimensions are critical it is important that an effective check be made and the accompanying instructions and installation manual be read.

Standard features:
Compressor operated: R600a
- Available in rated voltage/frequency (as per country' requirements): 100V/50/60Hz, 220V/50/60Hz, 115V/50Hz
- Automatic defrost
- Humidity : 65% RH +/-10% RH
- Black outer and inner finish
- Internal light
- Adjustable feet x 4
- Double glass door with 3rd acrylic layer
- Seamless stainless steel finish door frame for "S3" models

R134a :

Technical data	AL-S3-BK V40SG2e	AL-S3-BK V40SGe(115V)	AL-S3-BK V40DG2e(115V)	AL-S3-BK V40SGe
Models				
Capacity 750ml Bottles	Upper 16 Lower 28	50	Left 19 Right 19	50
Gas charge quantity	65g	75g	85g	70g
Net capacity	134L	146L	120L	146L
Pre-set temp in degrees	upper 6 Lower 12	12	Left 7 Right 12	12
Adjustable temp in degrees	Upper 6-12 Lower 12-18	6 to 18	Right 6-18 Left 6-18	6 to 18
Power Input	140W	160W	160W	120W
Heater ⁽⁰⁾	Yes	--	--	--
Freestanding or Built-in	Built-in	Built-in	Built-in	Built-in
N°. of wooden shelf: ⁽¹⁾	5	5	12	5
Ambient temp in degrees	5-35°C	5-35°C	5-35°C	5-35°C
Net dim in mm WXDXH	AL: 595x572x820 S3/BK: 595x561x820	AL: 595x572x820 S3/BK: 595x561x820	AL: 595x572x820 S3/BK: 595x561x820	AL: 595x572x820 S3/BK: 595x561x820
Gross dim in mm WXDXH ⁽²⁾	655x665x875	655x665x875	655x665x875	655x665x875
Net weight	50kg	44 kg	50 kg	50kg
Gross weight	54 kg	48 kg	54 kg	54 kg

⁽⁰⁾ Units with no heater will not raise its internal temperature if the ambient temperature where the unit is located is lower than the set temperature.

⁽¹⁾ Subject to changes accordingly to various references and models modifications.

⁽²⁾ Based on carton box packing dimensions/weight

Standard features:
Compressor operated: R134a
- Available in rated voltage/frequency (as per country's requirements): 100V/50/60Hz, 220V/50/60Hz, 115V/50/60Hz
- Automatic defrost
- Humidity: 65% RH +/-10% RH
- Black outer and inner finish
- Internal light
- Adjustable feet x 4
- Double glass door with 3rd acrylic layer
- Stainless steel finish door frame for "s3" models



Copyright: All rights are reserved. All photocopying, reproduction, translation whether partial or total are strictly prohibited, without prior written consent from **VINTEC**.

www.vintec-cellar.com

